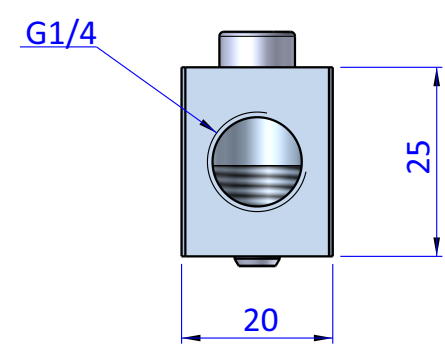
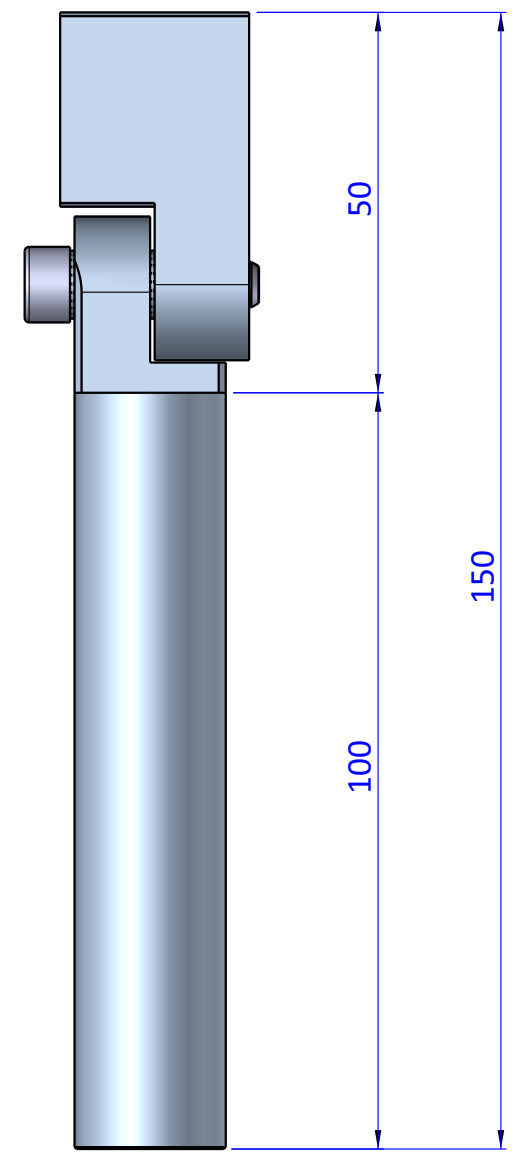
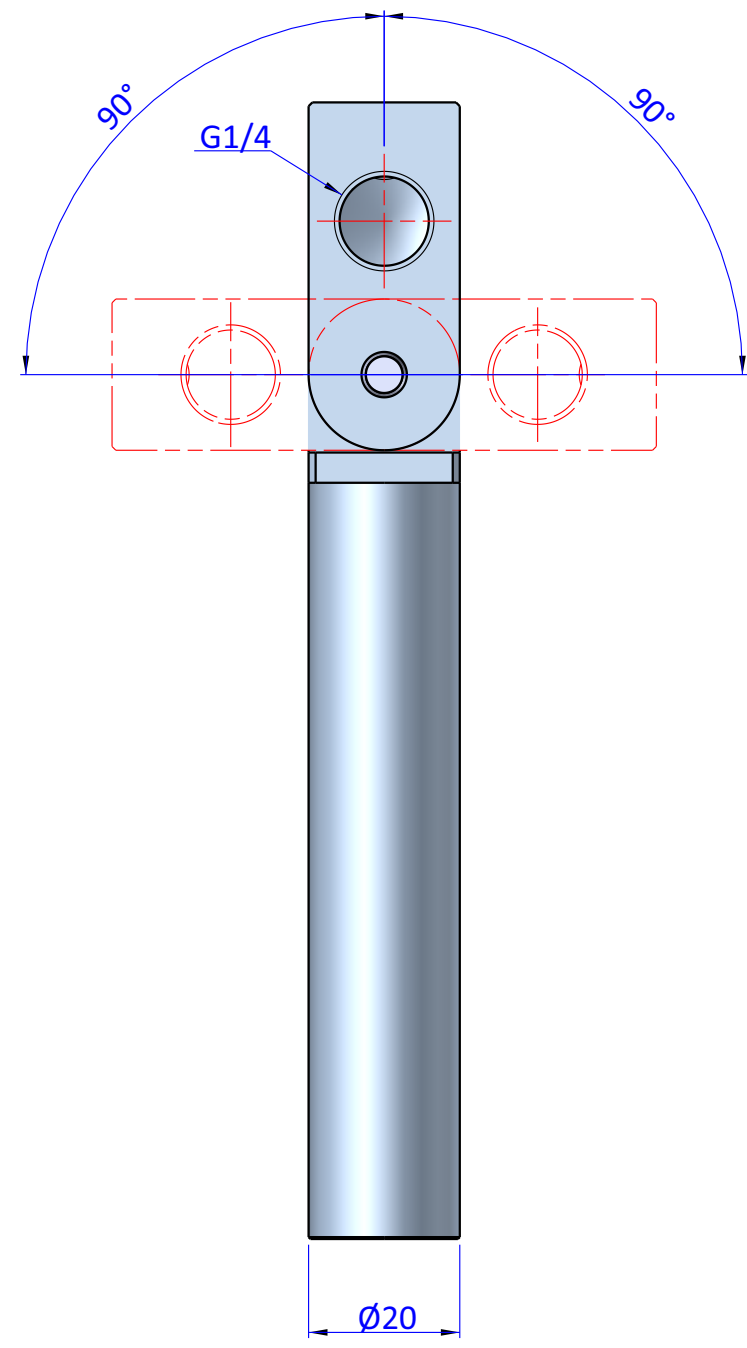
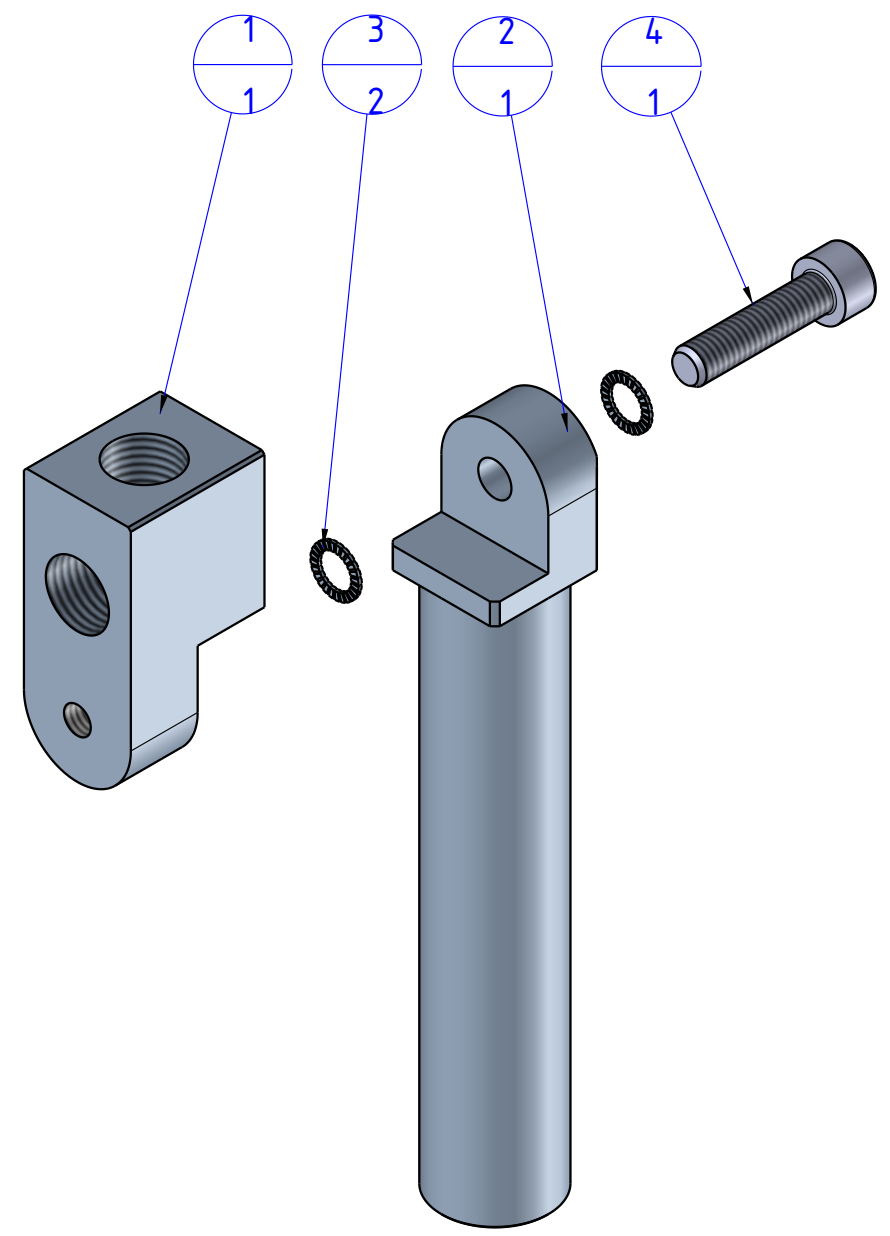

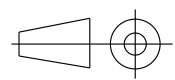


THE PROPERTY OF THE DRAWING IS ESTABLISHED BY LAW. IT IS FORBIDDEN TO PRODUCE OR SHOW IT TO THIRD PART. WITHOUT A WRITTEN AGREEMENT.

Item	Name	Q.ty
1	GGE.20.14.14	1
2	GLA.20.1.100	1
3	R.6.SCH	2
4	V.TCE6x25	1



Format A3
UNI 936-76

 FPS FPSERVICES AUTOMATION			DESIGNED FROM FPS Automation	REVIEW A
GENERAL TOLERANCE UNI - ISO 2768 CLASSE f		DESCRIPTION CA.GGE.20.14.14		DATE 15/09/2020
		WEIGHT 0,097kg		CODE CA.GGE.20.14.14